

B18

LED BEACON



FEATURES

- Newly design optic with powerful and even light output.
- Available with optional Tall Base to suit your vehicles.
- EMC safety compliance.
- Multi-Voltage Input 12~24VDC.
- Long life LEDs rated to 100,000 hours of operation.
- Non-volatile memory recalls last flash pattern used at power up.
- Reverse polarity protection.
- Weatherproof and vibration resistant design for external or internal use.

SPECIFICATIONS

Meets: ECE R65 (TA1,TB1); ECE R10

SAE J845 Class 1; IPX6

Operating Voltage: 12~24VDC

Warning Patterns: 11 Flash Patterns

Bulb: High Power LED x 15 pcs

Avg. Current: 0.93A@12.8VDC / 0.47A@24VDC

Avg. Power: 11.15W

Max. Current: 1.86A@12VDC /
0.93A@24VDC

Max. Power: 22.3W

Wires: Magnetic Mount

- Single button cigar-plug: 300cm (18AWG)

Permanent Mount

- Red-Vcc : 40cm (18AWG)
- Black-GND: 40cm (18AWG)

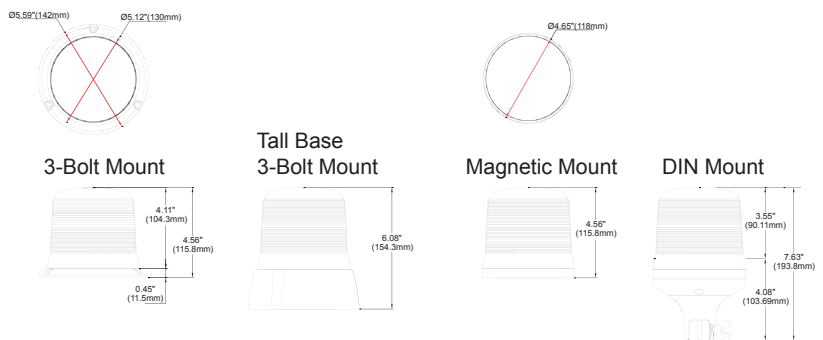
Fuse Recommended: 3A

Storage Temperature: -40°C to +75°C

Operating Temperature: -30°C to +65°C

Warranty: 2 Years

DIMENSIONS



PART NO.

- **B18-11x38-00R** (SAE, AMBER)
- **B18-11x32-00R** (SAE, BLUE)
- **B18-11x2W-00R** (SAE, WHITE)
- **B18-21x38-00R** (R65, AMBER)
- **B18-21x32-00R** (R65, BLUE)

Colour:

replace x for the following:

- | | |
|---|-----------------|
| 1 = 3-Bolt Mount | (Standard Base) |
| 2 = Magnetic Mount W/ 1-Button Cigar-Plug | (Standard Base) |
| 3 = DIN Pole Mount | (Standard Base) |
| 4 = Magnetic Mount W/ European Cigar Plug | (Standard Base) |
| 6 = 3-Bolt Mount | (Tall Base) |
| 7 = Magnetic Mount W/ 1-Button Cigar-Plug | (Tall Base) |
| 8 = Magnetic Mount W/ European Cigar Plug | (Tall Base) |

FLASH PATTERN

FP#	FLASH PATTERNS	FP#	FLASH PATTERNS
1	Double [R65]	7	Quint [SAE]
2	Single [2Hz]	8	Mega
3	Quad [2Hz]	9	Ultra [SAE]
4	Single [SAE]	10	Single-Quad
5	Double [SAE]	11	Single H/L
6	Quad [SAE]		